

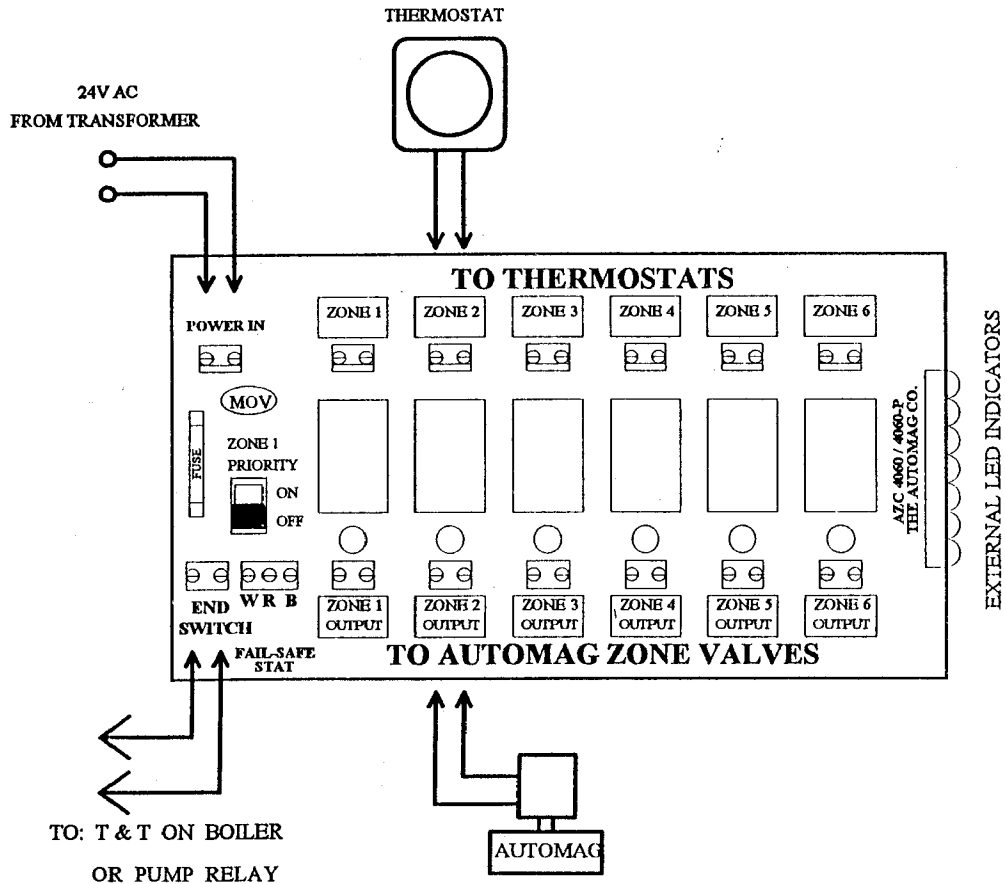
AZC 4060-P WIRING DIAGRAM

When any thermostat(or Zone #1 aquastat) calls for heat, the appropriate Automag Zone Valve is opened(de-energized) and the indicating red light goes on. The zone relay starts the boiler and/or circulator. The green light is always on, indicating that the power is connected.

The Priority ON/OFF switch allows Zone #1 to control boiler water to an Indirect Water Heater while temporarily closing the heating zone valves or to control as a normal heating zone(OFF position)

The 3-wire "Fail-Safe" thermostat connection is supplied with a jumper wire installed. With the jumper wire removed and a 3-wire thermostat wired to the "Fail-Safe" connection it provides emergency low temperature control directly to the Boiler and/or circulator.

The MOV is provided for high voltage surge protection.



All work must be performed by qualified personnel in accordance with all applicable codes and ordinances. AUTOMAG zone valves are to be installed in accordance with their supplied instructions.



1111 HILL STREET JESSUP, PA 18434
 570 383-2428 FAX 570 383-9820 800-451-2002