



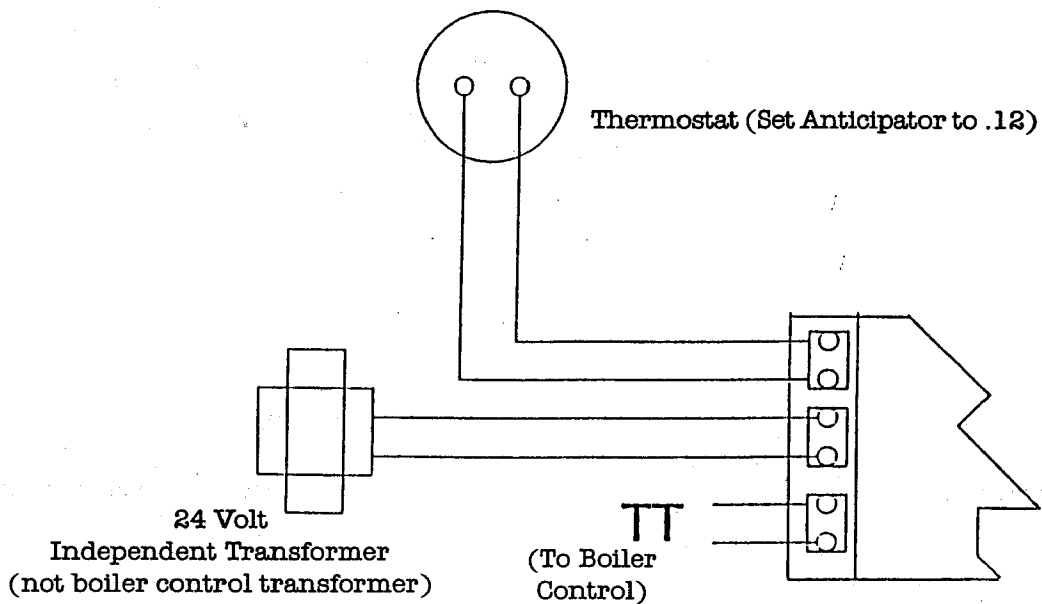
The new Automag replacement zone valve is designed to easily replace other manufacturer's zone valves in existing installations.

The replacement zone valve is easily wired with (3) 2-wire terminal blocks:

- 2-wire thermostat connection
- 2-wire 24 volt AC transformer connection
- 2-wire "TT" End Switch connection
(refer to diagram below)

The replacement zone valve circuit board includes filtered, soft close components that eliminate valve hum and water hammer from instant closure.

Remove valve cover (with circuit board and coil) prior to soldering valve.



IF INSTALLING ZONE VALVE ON A HORIZONTAL PIPE DO NOT INSTALL WITH HEAD/COVER IN A DOWN OR DOWNWARD POSITION.

AUTOMAG
1111 HILL STREET
JESSUP, PA 18434
570-383-2428 FAX: 570-383-9820
1-800-451-2002